



User Guide

Speaker phone GewaTel 200

English



This package contains the following items:

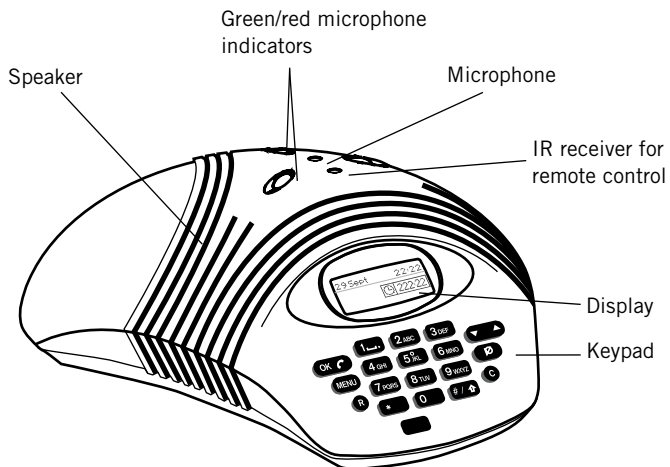
- 1 x User guide
- 1 x Speaker phone
- 1 x Mains transformer
- 1 x Power supply and network cable
- Tele plug

Please check the contents. If any items are missing, please contact your retailer.

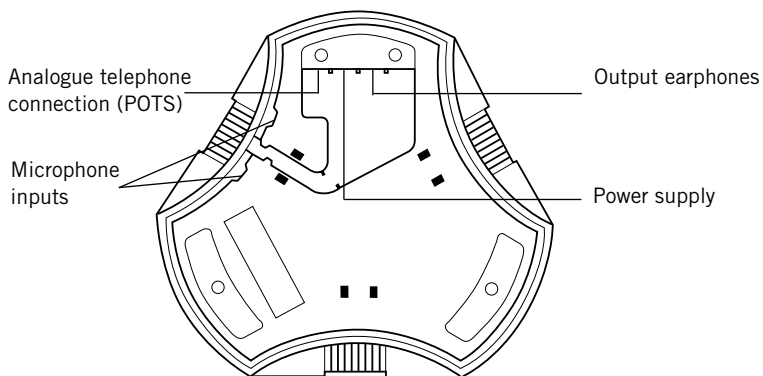
Table of contents

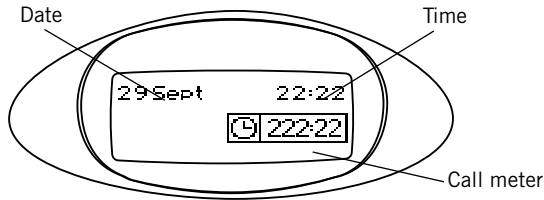
Description	4
Display and keyset	5
Connection	6
Connecting handset/headset	7
Calls	8
<i>IR control</i>	8
<i>Incoming calls</i>	8
<i>Incoming calls with Auto Answer</i>	8
<i>Incoming calls with Answer button</i>	9
<i>Outgoing calls</i>	9
<i>Three party calls</i>	10
<i>Programming R key</i>	11
<i>Speed dial, redial</i>	12
Volume control, mute function, adjusting	13
Menu	14
<i>Add new number and IR channel to phonebook</i>	14
<i>Edit phonebook</i>	15
<i>Delete names and numbers</i>	16
<i>Auto Answer</i>	17
<i>Answer button</i>	18
<i>IR control of keypad</i>	19
<i>Adjusting ring volume</i>	20
<i>Adjusting date and time</i>	20
<i>Selecting languages</i>	21
<i>Key pad tone</i>	21
<i>Reset</i>	22
Accessories and spares	23
Troubleshooting and maintenance	24
Technical data	25

Top



Bottom

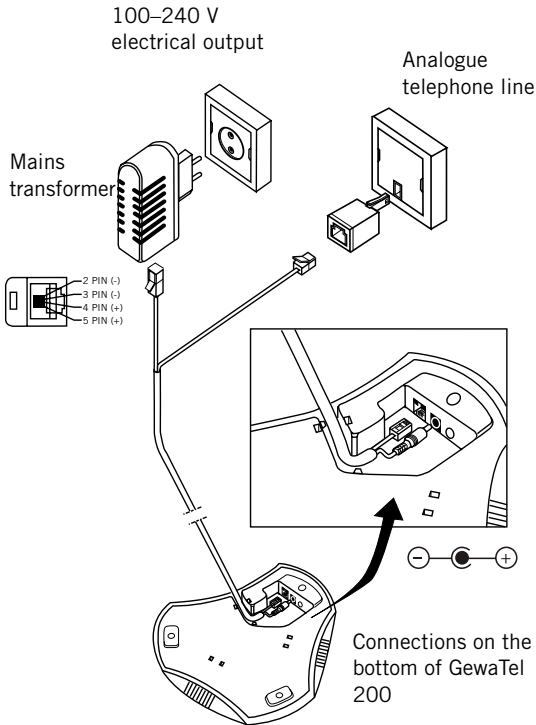




The above keys can be programmed for control by an IR transmitter

1 .	1, space, . (point)	7 PQRS	7, P, Q, R, S, p, q, r, s
2 ABC	2, A, B, C, Å, Ä, Á, À, a, b, c, å, ä, á, à	8 TUV	8, T, U, V, Ü, Ú, t, u, v, ü, ú
3 DEF	3, D, E, F, É, È, d, e, f, é, è	9 WXYZ	9, W, X, Y, Z, w, x, y, z
4 GHI	4, G, H, I, g, h, i	0	0
5 ^o JKL	5, J, K, L, j, k, l	*	*
6 MNO	6, M, N, O, Ö, Ø, Ñ, m, n, o, ö, ø, ñ	#	#

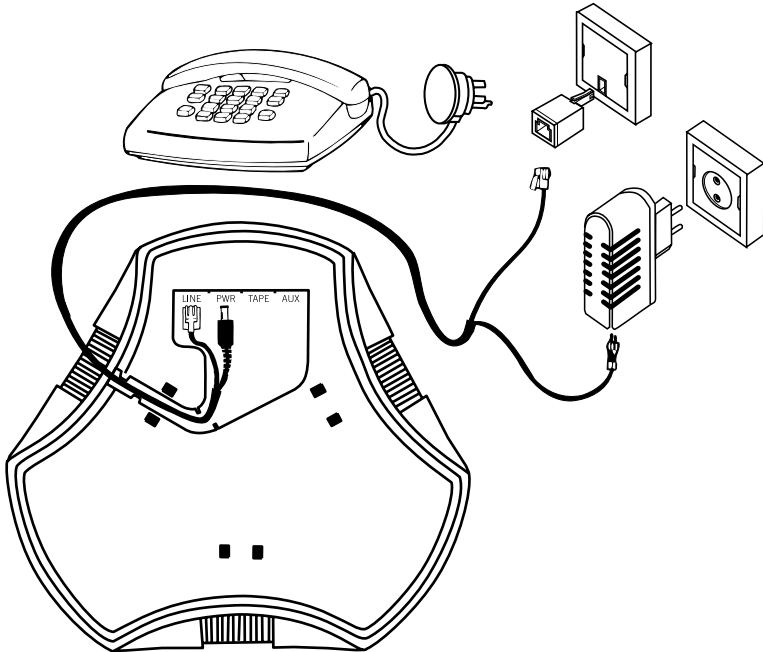
Analogue line



Only the following makes of mains transformer may be used FRIWO type FW7237/12 or Perfekt 2042, 2043, Helms-Man DEN4824129, ML120P070G, ED4824120070P and DBN4824129 (UK).

Adding a regular phone

You can connect a telephone with a handset/headset to the same telephone socket as your GewaTel 200. Note that GewaTel 200's tele plug must be the first plug in the telephone socket.



Transfer the call between the handset/headset telephone and the GewaTel 200 by pressing the OK key.

IR control

GewaTel 200 is adapted to be controlled by Gewa's IR transmitter. All keys on the telephone and stored phone numbers in the phonebook can be controlled by the IR transmitter (does not apply when one is in programming mode). Before IR control can be used, the IR transmitter must be programmed to the relevant function, see different section for this. GewaLink-channels 00-61, 63-127 can be used.

Incoming calls



A ring signal will be heard and the green microphone indicators light up to indicate the incoming call.

Press OK to answer.



The call duration is displayed in the call meter display.

Press OK to end the call.

Incoming calls with Auto Answer



A ring signal will be heard and the green microphone indicators light up to indicate the incoming call.

After the phone has rung six times, the subscriber making the call will hear an answer tone. The subscriber making the call must enter a preset code after which both subscribers hear a confirmation tone.

The line opens and the call can begin.



Every three minutes a reminder tone will be heard that the calling subscriber must acknowledge by pressing the 5 key in their telephone.

The line is disconnected within three minutes when the calling subscriber "hangs up".

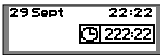
Incoming calls with Answer key



A ring signal will be heard and the green microphone indicators light up to indicate the incoming call.



Press OK to answer



or



Press any of the IR transmitter keys that are programmed in the telephone.

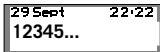


Press OK to end the call.

Outgoing calls



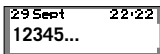
Press OK.



0-9...

Dial the number.

or

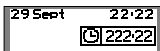


0-9...

Dial the number first to check it.



Press OK. The number is called after approx 3 seconds.



The call duration is displayed in the call meter display.



Press OK to end the call.

Three party calls

29 Sept 22:22
1234567



Dial the number for the first participant.

Press OK. The number is called within 3 seconds.



When the first call is connected, press the R key for a new dialling tone.

29 Sept 22:22
1234567



Dial the number for the second participant.
Wait for an answer.

Press R then 3 and all three of you can participate in the call.

If your call is not answered




Press R then 1 to return to the first call.

Note: The availability and function of three party calls can vary between countries but also different types of PBX that GewaTel 200 is connected to. If you wish to connect multiple participants, we recommend that you contact an operator who offers telephone meeting services. If you have any questions, please contact your retailer.

If the R key does not function

The PBX requirements for R key function varies between PBXs and different countries. GewaTel 200 therefore offers the possibility of programming the time so that it will function with most PBXs on the market.

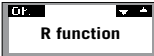
Programming R button (default setting = 2)



MENU Press Menu.

▼ ▲ Select the menu for Settings.

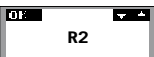
OK ↻ Press OK.



R function

▼ ▲ Select R function.

OK ↻ Press OK.



R2

▼ ▲ Enter the value for the R pulse. The most common setting is 2. Check in the table below if it applies to you.

Value:	Time:
R1	65 ms
R2	100 ms
R3	150 ms
R4	270 ms
R5	600 ms
R6	80 ms

OK ↻ Press OK to finish and save the value.

Retrieving speed dial numbers



Press up/down to scroll through the phonebook in alphabetical order. The last dialled number appears first in the list.



Press OK to dial the selected number. The number is displayed and called after approx 3 seconds.

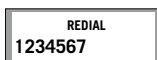


Press OK to end the call

Alternative

If the IR transmitter is programmed for speed dial one can ring directly by one press on the IR transmitter without having to enter the phonebook.

Redial



Press the up key. The last number that you dialled appears in the display.



Press OK to dial the number. The number is called after approx 3 seconds.



Press OK to end the call.

Volume control



Adjust the volume during the course of the call using the up/down key.

Mute function









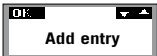

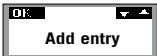

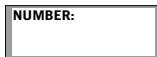
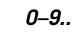
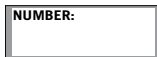

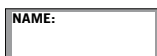
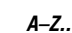
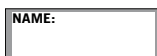




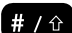


Press the mute key to switch the microphone off. The microphone indicators switch to red. Press again to switch on the microphone. The microphone indicators switch to green.

Tuning





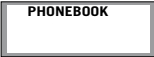

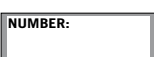














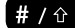




When GewaTel 200 is switched on the sound is adjusted for the room and telephone line automatically. GewaTel 200 sense the room's acoustics and continually adjusts during the call. For manual tuning, the up/down key is pressed at the same time. Static is briefly heard.














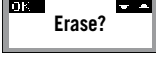


Add new number and IR channel to phonebook

-   Press Menu.
-   Select the Phonebook menu.
-   Press OK.
-   Select Add entry.
-   Press OK. The last dialled number is automatically displayed.
-   Enter a telephone number using the keypad.
-   Press OK.
-   Enter a name using the keypad. Press the key until the required letter appears in the display and then enter the next letter (*read the description of the characters that can be used on page 5*).
-   Press OK.
-   Press a key on the IR transmitter (key on the IR transmitter that controls the speed dial). If you do not want to enter an IR channel, continue with the next step.
- "Memory full" is displayed if you attempt to save more than 50 numbers.
- "IR used" is displayed if you attempt to store an IR channel that has already been stored. If so, choose another IR channel.
-  Press OK.
-  Press the shift key to enter lower case letters.
-  Press the C key to delete a letter or a digit.
-  Press the Menu key to finish.

Edit phonebook


















-   Press Menu.
-   Select the Phonebook menu.
-   Press OK.
-   Select Edit.
-   Press OK.
-   Select the name you want to edit from the list using the Up/down key.
-   Press OK.
-  *0-9...* Edit the number using the keypad.
-   Press OK.
-  *A-Z...* Edit the name using the keypad.
-  Press OK.
-  Press a key on the IR transmitter. If you do not want to change an IR channel, continue with the next step.
- "IR used" is displayed if you attempt to enter an IR channel that has already been stored.
-  Press OK.
-  Press the shift key to enter lower case letters.
-  Press the C key to delete a letter or a digit.
-  Press the Menu key to finish.

Delete names and numbers

-  Press Menu.
-    Select the Phonebook menu.
-  Press OK.
-    Select Erase.
-  Press OK.
-    Select the name you want to delete from the list.
-  Press OK to select.
-  “Erase?” is displayed.
-  If you do not want to delete press C.
-  If you want to delete press OK. The selected name and number is erased.








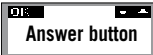







Auto Answer

Auto Answer means that the telephone answers automatically when the calling subscriber enters a code.

- | | | |
|---|---|---|
|  |  | Press Menu. |
| | | Select menu for Settings. |
|  |  | Press OK. |
| |  | Select Gewa Setup. |
|  |  | Press OK. |
| |  | Select Auto Answer. |
|  |  | Press OK. |
| |  | Select and press 1 for Active or 2 for Inactive. |
|  | | Alternative Active: Select and press 1 to change the code or press 2 to continue. |
|  | | Alternative Code:
Enter a 4-digit code. |
| |  | Press OK. |
|  |  | Select Return to exit programming or continue and make other settings. |
| |  | Press OK. |

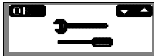

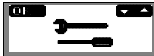








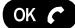








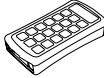








Answer button

One can choose to answer using all GewaLink channels that are programmed in the telephone or only one answer button. Only applies to incoming calls.








- | | | |
|---|---|--|
| |  | Press Menu. |
|  |  | Select menu for Settings. |
| |  | Press OK. |
|  |  | Select Gewa Setup. |
| |  | Press OK. |
|  |  | Select Answer button. |
| |  | Press OK. |
|  |  | Press 1 for One or 2 for All. |
|  |  | Select Return to exit programming or continue and make other settings. |
| |  | Press OK. |

IR control of keypad













The following shows how to program the telephone keypad so that it can be controlled by Gewa's IR transmitter. All keys on the keypad can be controlled. GewaLink-channels 00-61.63, 63-127 can be used.

-   Press Menu.
-    Select menu for Settings.
-   Press OK.
-    Select Gewa Setup.
-   Press OK.
-    Select IR setup.
-   Press OK.
-   Select and press key on the telephone keypad.
-   Select and press key on the IR transmitter.
-  "IR used" is displayed if you attempt to store an IR channel that has already been stored.
-   Keep the C key held in to finish.
-    Select Return to exit programming or continue and make other settings.
-   Press OK.


Adjusting the ring signal volume



-  Press Menu.
-   Select menu for Ring signal volume.
-  Press OK.
-   Adjust the volume using the up/down key. If the symbol with the crossed bell is selected, the ring signal is switched off.
-  Press OK. The ring signal volume is saved.

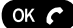
Adjusting date and time



-  Press Menu.
-   Select Time & date menu.
-  Press OK.
-   Adjust the time and date using the up/down key.
-  Select date. Press OK.
 Select month. Press OK.
 Select year. Press OK.
 Select hour. Press OK.
 Select minutes. Press OK.
 Time and date is saved.
-  Go back using the C key.


Select language


 Press Menu.


 Select Language menu.


 Press OK.

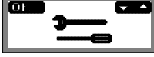

 Svenska
  Select language using the up/down key.


 English



...
  Press OK.


Keypad tone



 Press Menu.



 Select menu for Settings.


 Press OK.

 Keypad tone
  Select keypad tone.

 Press OK.

 On
  Choose whether the keypad tone should be On/Off using the up/down key.



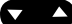













 Off

 Press OK.

Note! Even if the pad keytone is switched off, the tones are still heard when you dial a number.

Reset

At Reset one can choose how much to reset; Reset IR keypad, Reset all IR or Reset all. At Reset all the telephone numbers, names, IR channels and other settings are reset to the factory settings.

- | | | |
|---|---|--|
| |  | Press Menu. |
|  |  | Select menu for Settings. |
| |  | Press OK. |
|  |  | Select Gewa Setup. |
| |  | Press OK. |
|  |  | Select Reset. |
| |  | Press OK. |
| |  | Select Reset IR KBD (keypad), Reset all IR, Reset all or Cancel. |
| |  | Press OK. |
|  | | Press 1 for Reset or 2 for Cancel. |
|  |  | Select Return to exit programming or continue and make other settings. |
| |  | Press OK. |

Accessories

Part no.	Description
160050	Expansion microphones
160052	Wall mounting bracket
160010	Earphones

Tele plugs

Part no.	Description
160072	Denmark
160073	Finland
160074	France
160075	Germany
160076	Great Britain
160077	Netherlands
160071	Norway
160078	Spain
160070	Sweden
160079	Switzerland

Spares

Part no.	Description
160055	Power supply and network cable, 7.5 m
160060	Transformer 12 V DC.
160062	Transformer UK 12 V DC.

Troubleshooting

1. Check that the microphone is turned on during the call. The green microphone indicators must light.
2. Check that GewaTel 200 is connected to an analogue telephone jack and between the POTS connection input on the bottom of GewaTel 200.
3. Bypass any extension cables and check if the GewaTel 200 works properly. If not, contact your retailer.
4. Disconnect the expansion microphones and check if the GewaTel 200 works without them. If not, contact your retailer.
5. If the GewaTel 200 needs to wait for a second dialling tone, you should enter a pause using the pause/mute key when entering a telephone number as an instruction or in the phonebook.



Maintenance

Clean the equipment with a soft, dry cloth. Never use liquids!

Central unit

Power supply:	DC transformer 100 - 240 V AC/12 V DC; 700 mA
Tele connection:	Analogue PBX or PSTN, RJ-11
Power supply and POTS network cable:	7.5 metres, RJ-11 (tele), EIAJ class IV (electricity)
Recommended room conditions:	Reverberation time: <0.5 seconds Background noise: <45 dBA
Frequency response:	200 – 3700 Hz
Speaker volume:	85 dB SPL (increases if microphone units are used)
Room echo reduction:	208 ms
Line echo reduction:	25 ms
Automatic adjustment:	<1 ms impulse (cannot be presented)
Earphones output:	3.5 mm telejack
IR channels:	GewaLink 00-61, 63-127
Dimensions:	Diameter 232 mm
Weight:	700 g
Temperature range:	5 – 40° C in operation
Relative humidity:	20% – 80% condensation free
EMC:	EN 50 081-1:1992 EN 55 024:1998 EN 60950
Electrical safety:	EN 60950
Telecom approval:	EUROPEAN TBR21
Keypad:	19 keys
Compatibility:	GewaTel 200 can be connected to a PBX equipped with an analogue extension (POTS), for example, Ericsson: MD110. Fenix. Siemens: Hicom. Nortel: Meridan. Philips: Sopho. Alcatel: 4200, 4400. Ascom: Ascotel.

Expansion microphones (accessories)

Power supply:	Power from microphone output Cabling: Modular 4/4 contacts, 2x1.5 m and 2x2.5 m
Microphone:	Omni directional
Microphone indicator:	Green – microphone on Red – microphone off
Temperature range:	5 – 40° C in operation
Keypad:	3 keys

Gewa AB

Box 92, SE-191 22 Sollentuna, Sweden

Tel: +46 (0)8-594 694 00 • Texttel: +46 (0)8-594 694 18

Fax: +46 (0)8-594 694 19

E-mail: info@gewa.se • Web: www.gewa.se

Part no. 808565 Doc: Manual GewaTel 200 DK, DE, GB, FR, NL, NO, SE.

Ver: D. Date: 2008-09-30



7 340023 103887